



RELIANCE

by  **PYRAMID**
TECHNOLOGIES, INC.

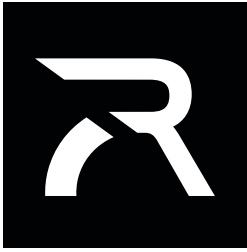
Designed to be... Predictable.



Paper Arm
Option



Plug the Reliance in and begin experiencing years of trouble-free service. Trust in the developer friendly environment that customers all around the world have been accustomed to. From the esthetically pleasing design to its robust form factor, Reliance couples art with functionality in a thermal printer design that only Pyramid could produce. Experience the advantage that others in the industry have come to rely on. Reliance is your thermal printer of choice.



RELIANCE

Under the Hood

Reliance - 80 mm
Thermal Presenter Printer

Performance

200 DPI Maximum Print Quality
Paper Width up to 80 mm
Built-in Paper Cutter
Automatic Presenting and
Automatic Retraction of Paper
Cutter Life Greater than
1,500,000 Cuts

Windows Driver Support
Simple Configuration and Easy
Firmware Updates
User Customizable Text and
Graphics

Pyramid Welcomes Custom
Applications to fit your needs

Specifications

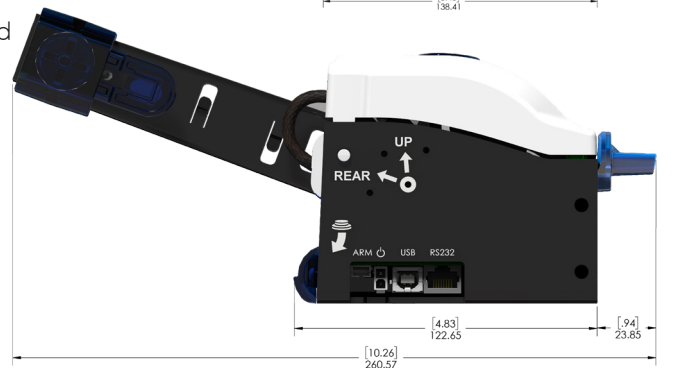
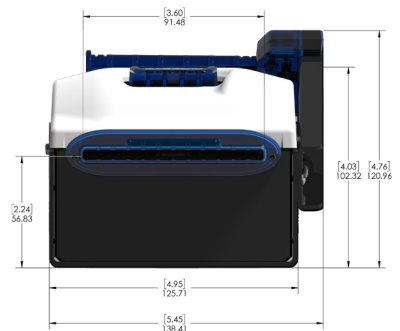
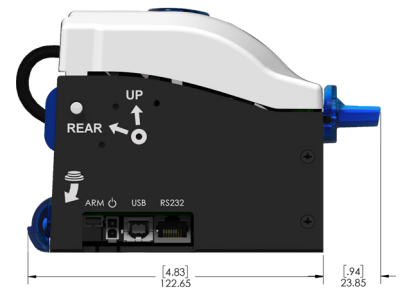
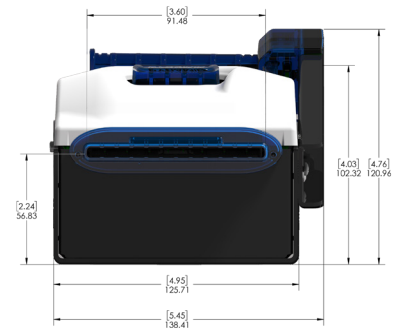
Operating Voltage: 24 Volts AC +- 10%
Idle Current: 150 mAmps
Operating: 6 Amps Maximum (2.2 amps draw at a 50% Print Rate)
Weight: 1.22 Kg

Operating Temperature:
0 to 60 Degrees Centigrade
(-20 to 60 Degrees Centigrade Option Available)
85% Non-Condensing Humidity Maximum

Print Speed:
Greater than 220 mm per Second
Eject and Retract Speed Greater than 1000 mm per Second

Paper Detection:
Paper Low on Roller, Paper Empty and Paper Notch
Detection

Accessories:
Paper Holder Arm with Paper Low Sensing
Serial RS-232 (DB9) Harness
USB Communication Harness
24V DC Supply



SALES@CURCOMP.COM
WWW.CURCOMP.COM
1-800-342-9798

CURRENT COMPONENTS
INCORPORATED