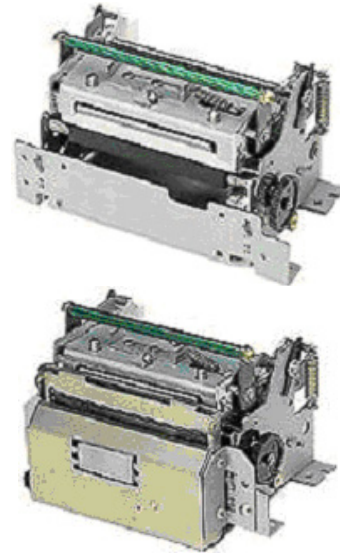


TMP400 Thermal Printer Mechanism

Features

- Straight paper path for very reliable paper handling in any environment
- Easy to replace thermal print head
- Black mark sensor installed to detect top of form
- Auto cutter model available (TMP452)
- Presenter and document capture model available (TMP492)



TMP400

The TMP400 series of mechanisms provides OEMs/ system integrators with the flexibility of designing their own printing systems.

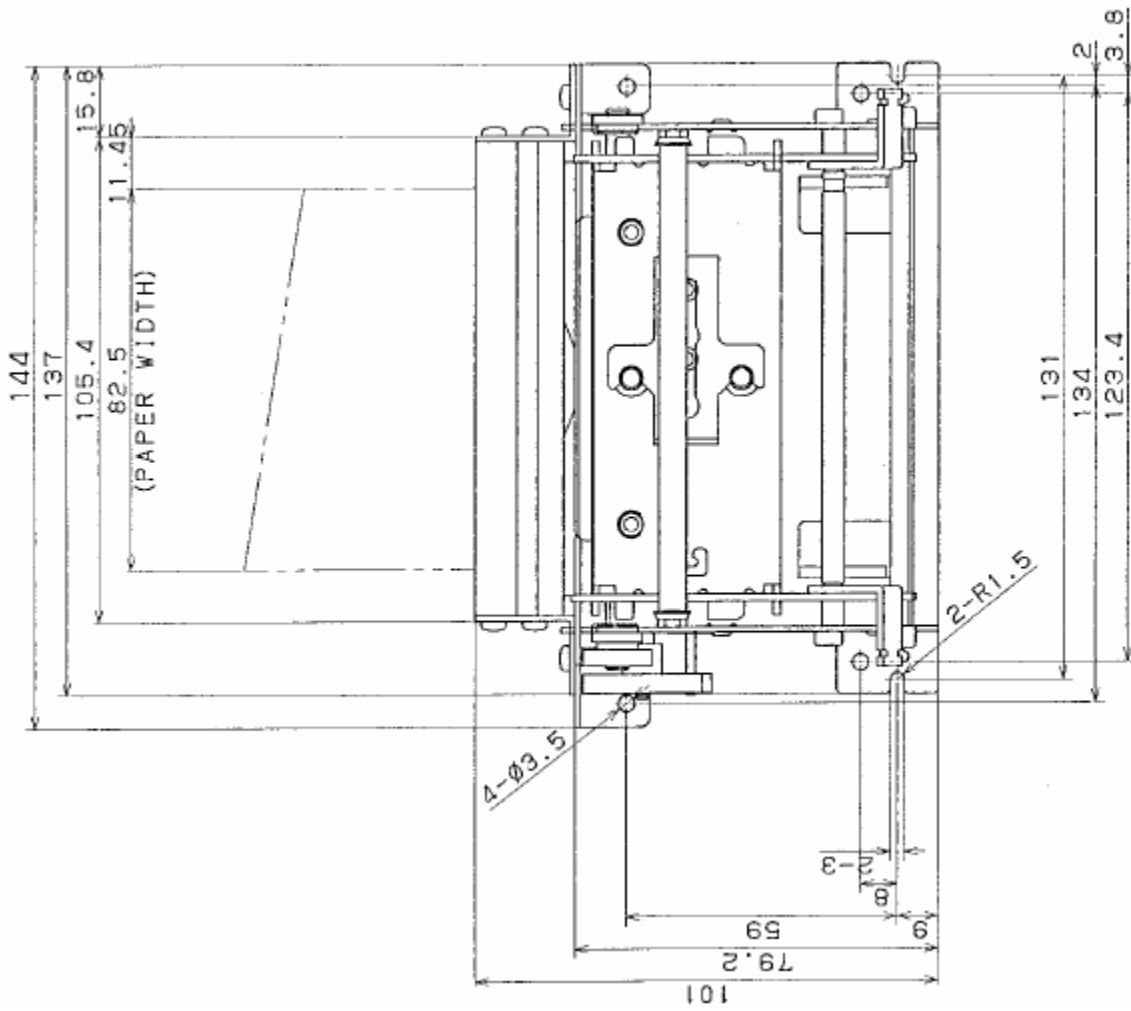
Specifications

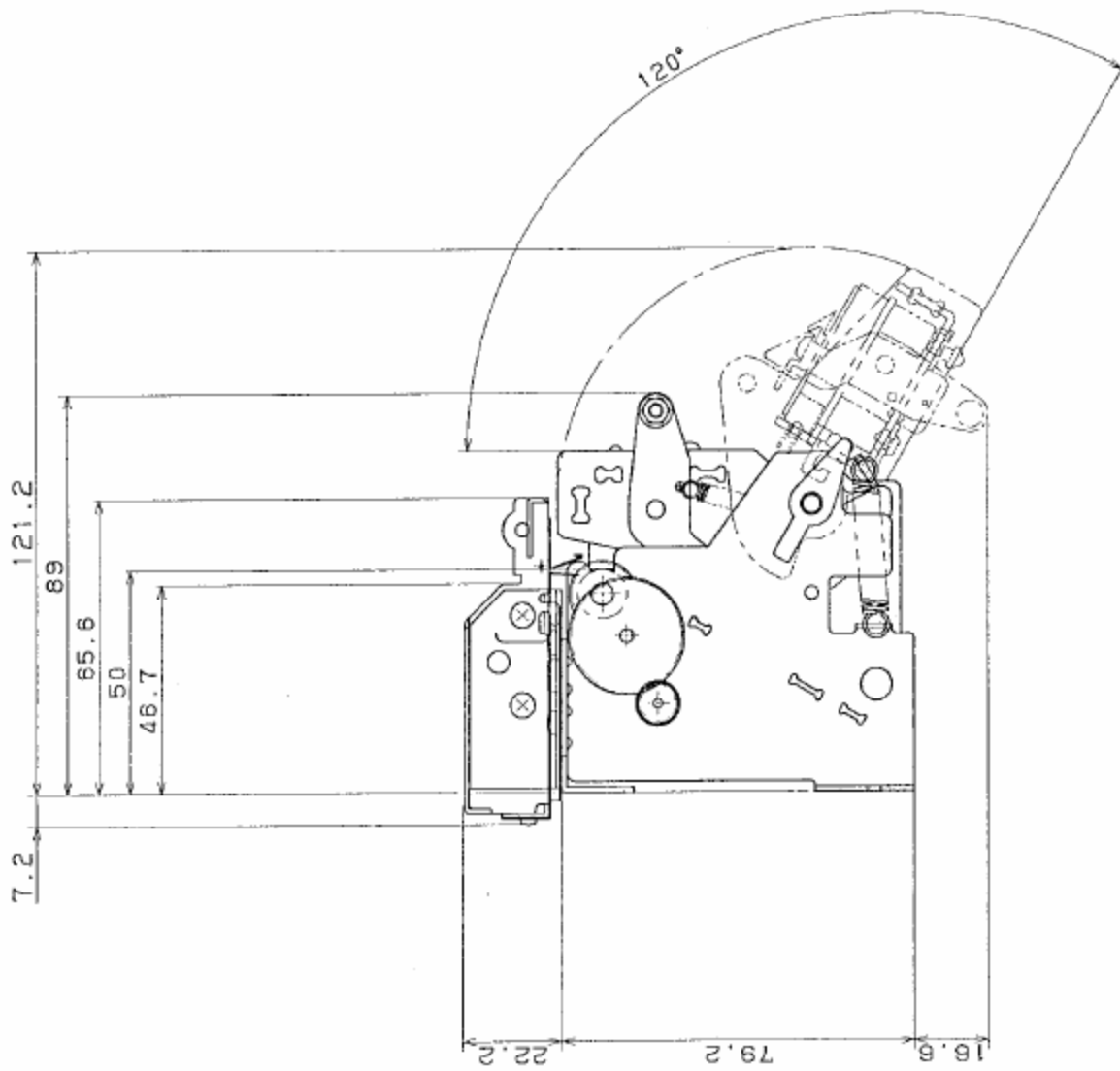
Print Speed	50mm / sec. 80 mm / sec. (TMP492 only)
Paper Width	60 mm – 82 mm (adjustable) 82 mm (TMP492 only)
Print Width	60 – 82.5mm 80 mm (TMP492 only)
Resolution	203 dpi
Print Columns	50
Reliability	5 Million Lines / mechanism 100 KM / print head
Operating Voltage	Vh 24 V \pm 5% Vcc 5V \pm 5%
Control Board (Option)	TBD400

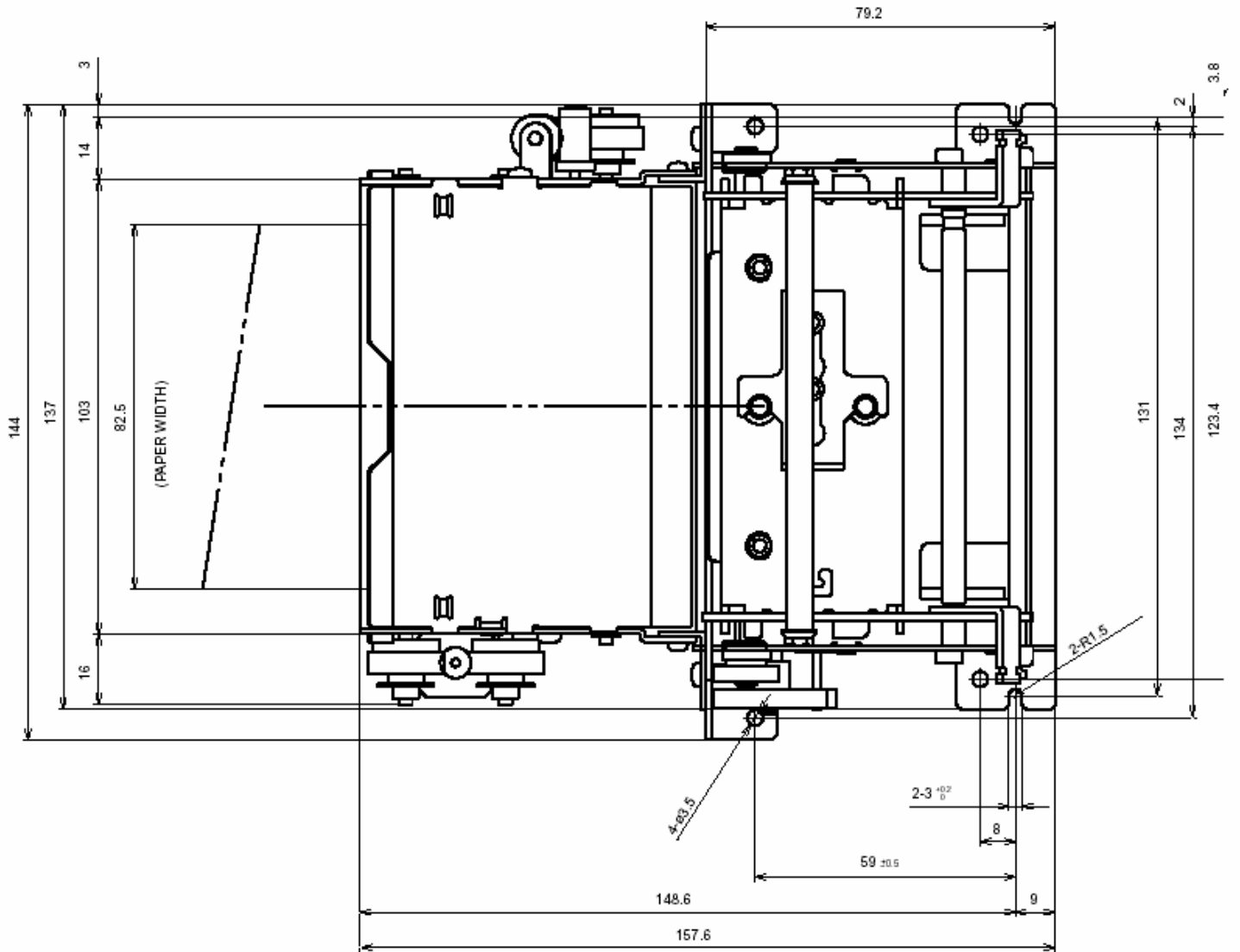
Part Numbers	
Printer Mechanism – TMP412-24N-A TMP452W-24N-A TMP452X-24N-A TMP492ZW-24N-A	39405400 39405410 39405810
Control Board – TBD400 TBD400Z (For TMP492ZW-24N-A only)	39403600 39405810
Power Cable – Cable Unit 4x510C BD3	80703420
Control Panel Unit	87390610
Power Supply- AMPTUP-US	37992440

External Dimensions

TMP452







Control Board Dimensions

TBD400

